

# Wall Mounted Panel Antenna

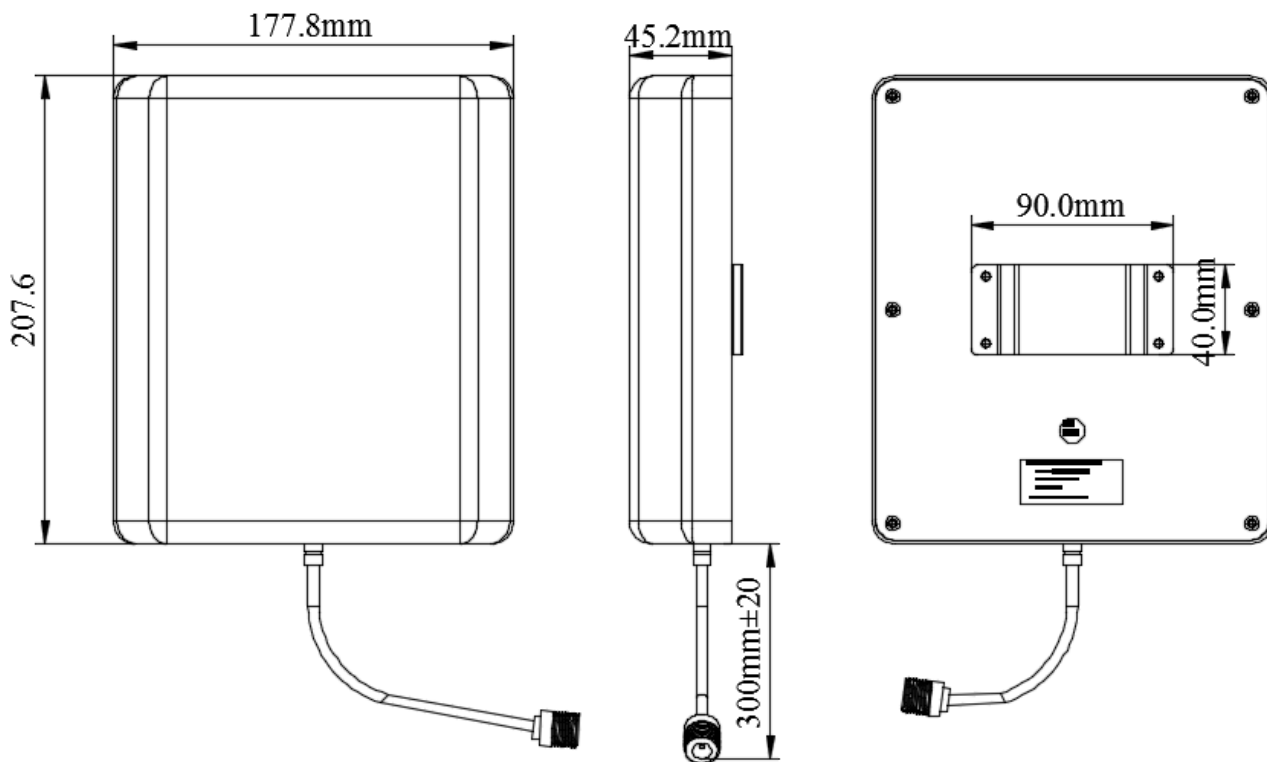
## AP-Wall1-C-S6-F-WH



The AP-Wall1-C-S6-F-WH is an indoor antenna defined by the following features:

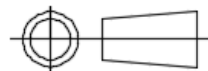
- LTE
- Bolt Mount
- Cabled, N-Female
- RoHS Compliant

### Dimensions



Unless otherwise specified,  
tolerances are +/-2mm

THIRD ANGLE PROJECTION



### Specifications and Interface

Frequency Range	698-960 MHz, 1700-2700 MHz	
Peak Gain	698-960 MHz	5.4 dBi
	1700-2700 MHz	7.6 dBi
Max Input Power	50 W	
Feed Impedance	50 ohms	
Polarization	V	
Temperature Range	Operating: -35 °C to +70 °C	
Waterproof Level	IP54	
Lightning Protection	DC Ground	
Dimensions	210 mm x 180 mm x 45 mm	
Weight	0.5 Kg	
Connector	N-Female	